



DarkBlader X5 RGB

Distinctive RGB Mid-Tower Case with Superior Airflow



Distinctive Style with Dazzling RGB Lighting Effect

DarkBlader X5 RGB's front panel uses the 3 included ARGB VK120 fans' lighting to create an innovative glowing effect along the matte finish. The refined wedge-form and asymmetrical design brings a unique and modern style with exceptional appearance and sufficient airflow to your build.



Easy access and connectivity for all your devices

With USB 3.1 Gen-2 Type-C and USB 3.0 ports, DarkBlader X5 RGB connects to the latest devices. It also brings high-speed connections to fulfill massive data transfer needs for the ultimate PC enthusiast.



Enjoy the Dazzling RGB Show

The integrated lighting button, with built-in LED controller, allows DarkBlader X5 RGB to display amazing lighting effects. It's also adaptable with any compatible motherboards' 5V ARGB connection for system-wide lighting synchronization. The powerful lights come out of a stylish panel and the reflective surroundings helps reinforce the RGB effects.



* ARGB fans are optional, specifications might vary depending on the country or region of sale.

Vertical GPU Support

This revolutionary case is both about performance and aesthetics. DarkBlader X5 RGB also supports vertical GPU installation to bring any system's performance to the limit.

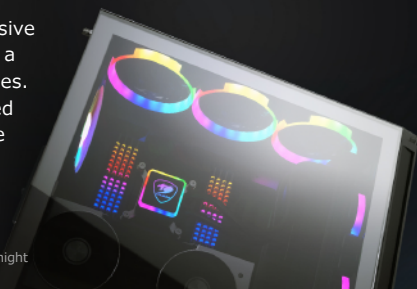


* Please choose either of a Vertical Graphic Card or 2.5" SSD trays on the PSU cover to install.

* Top fans and radiators are optional, specifications might vary depending on the country or region of sale.

Massive Tempered Glass Left Panel

The full-length PSU cover and massive tempered glass left panel presents a clean and tidy build that hides cables. Instead of drilling into the tempered glass, it uses metal frames to more easily build a pro-level system and upgrade its durability.



* Top fans and radiators are optional, specifications might vary depending on the country or region of sale.

Top-notch Gaming Hardware

To offer top-notch performance, DarkBlader X5 RGB is able to house a mighty build. Its excellent support for up to 400mm-long graphics cards and E-ATX motherboards brings unprecedented freedom for hardware systems.



* Top fans and radiators are optional, specifications might vary depending on the country or region of sale.



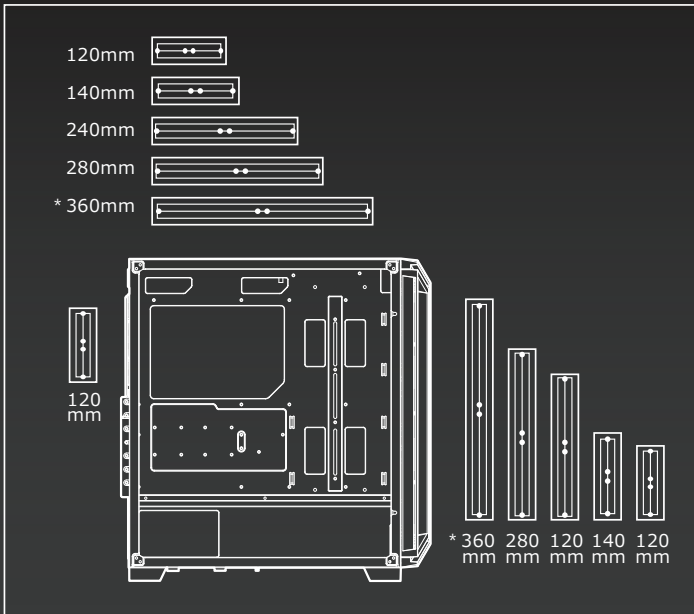
DarkBlader X5 RGB

Distinctive RGB Mid-Tower Case with Superior Airflow

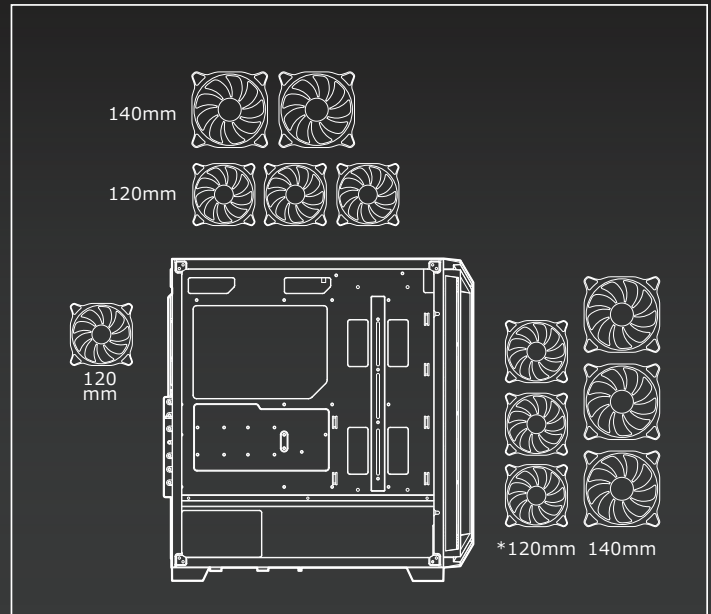
Superior Cooling

With seven fans and solid support for up to a 360mm water cooling radiator, you will enjoy superior cooling horsepower to keep advanced components safe from overheating.

Water cooling radiator support



Air cooling support



* Please choose either of front or top to install a 360mm radiator.

* Please choose either of a TOP 360mm radiator or FRONT 120mm x 3 fans to install.

SPECIFICATIONS

Model Name	DarkBlader X5 RGB (Translucent Black)	Water Cooling Support	Front : *360mm / 280mm / 240mm / 140mm / 120 mm Top : *360mm / 280mm / 240mm / 140mm / 120mm Rear : 120mm
Model No.	CGR-5UM3TB-X5-RGB	Cooling Fan Support	Front : * 120mm x 3 / 140mm x 3 (ARGB VK120 fans x 3 pre-installed) Top : 120mm x 3 / 140mm x 2 Rear : 120mm
Case Type	Mid Tower	Transparent Left Panel	4mm Tempered Glass
Motherboard Type	Mini ITX / Micro ATX / ATX / CEB / E-ATX	Onboard Lighting System	Yes
Dimension (WxHxD)	220 x 486 x 468 (mm) / 8.7 x 19.1 x 18.4 (in)	RGB Sync with M/B	Yes
Case Drive Bays	3.5" : 2 2.5" : 2+2 (converted from 3.5" drive bays) / (2 SSD trays included)	Max. CPU Cooler Height	170 (mm) / 6.7 (in)
I/O Panel	Type C 3.1 x 1, USB 3.0 x 2, Mic x 1 / Audio x 1, RGB Button	Max. Graphics Card Length	400 (mm) / 15.7 (in)
Expansion Slots	7+2	Max. PSU Length	180 (mm) / 7.1 (in)
Maximum Number of Fans	7 Max.		

*Please choose either of front or top to install a 360mm radiator.

*Please choose either of a TOP 360mm radiator or FRONT 120mm x 3 fans to install.

PACKING DATA

Product Name	DarkBlader X5 RGB (Translucent Black)	Individual Size W/O Packaging Weight (N.Weight)	6.73 (kg)
Product Number (P/N)	385UM30.0003	Individual Packaging Weight (G.Weight)	7.81 (kg)
EAN CODE	4710483770920	Individual Size W/O Packaging (WxHxD)	220 x 486 x 468 (mm) / 8.7 x 19.1 x 18.4 (in)
UPC CODE	192554002231	Individual Packaging Size (WxHxD)	282 x 520 x 530 (mm) / 11.1 x 20.5 x 21 (in)
JAN CODE	4541995034725		



DarkBlader

COMPARISON



	DarkBlader X5 (Translucent Black)	DarkBlader X5 (White)	DarkBlader X5 RGB (Translucent Black)	DarkBlader X7 (Translucent Black)	DarkBlader X7 (Midnight Green)
Model No.	CGR-5UM3TB-X5	CGR-5UM3W-X5	CGR-5UM3TB-X5-RGB	CGR-5UM3TB-X7	CGR-5UM3G-X7
Front Panel	Plastic with Mesh			Plastic with an RGB Strip	
Chassis Color	Black	White	Black	Black	Black
	USB 3.0 x 1, USB 2.0 x 2, Mic x 1 / Audio x 1, Reset Button		Type C 3.1 x 1, USB 3.0 x 2, Mic x 1 / Audio x 1, RGB Button	USB 3.0 x 2, USB 2.0 x 1, Mic x 1 / Audio x 1, RGB Button	
Pre-installed Fans	Front	-	ARGB VK120 fans x 3 pre-installed	-	-
	Rear	120mm x 1 (Black fan x 1 pre-installed)		-	ARGB VK120 fan x 1 pre-installed
Onboard Lighting System	-	-	Yes	Yes	
RGB Sync. with M/B	-	-	Yes	Yes	
Transparent Left Panel	4mm Tempered Glass				