



# MX331-T

*Stunning RGB Mid-Tower*

MX331-T has three built in RGB strips at the front panel, which showcases spectacular lighting effects. With a crystal clear tempered glass left panel, you are freely to create a clear view of your computer's internal components. It's also equipped with adjustable fan speed controller and 4 USB ports to bring you efficient and convenient experiences.



## Three Stylish RGB Strips

MX331-T's three RGB lighting strips bring you a stylish design. The acrylic front panel also enhances the fluid lighting effects, which helps you to present a stunning build!



## Adjustable Fan Speed Controller

With a convenient manual switch at the front panel, you are able to adjust fan speeds fast and easily. It's no longer necessary to control via complicated software.



## Abundant for Multiple USB Devices

The front panel is equipped with two USB 3.0 ports and two USB 2.0 ports, let you easily connect multiple peripheral devices and accessory charging. Not only optimize your processing experiences, but also keep all USB devices without limitations.



## Extraordinary Transparent View

A beautiful tempered glass window acts as a portal into your PC's interior. Ideal for those who want to set up internal lighting show and a clean build.



## Massive Expandability

MX331-T allows you to fit a full-sized ATX motherboard, 350mm-length graphic card, one 5.25" devices, two 2.5" SSDs, and two 3.5" HDDs, which satisfy your expandability and storage needs.





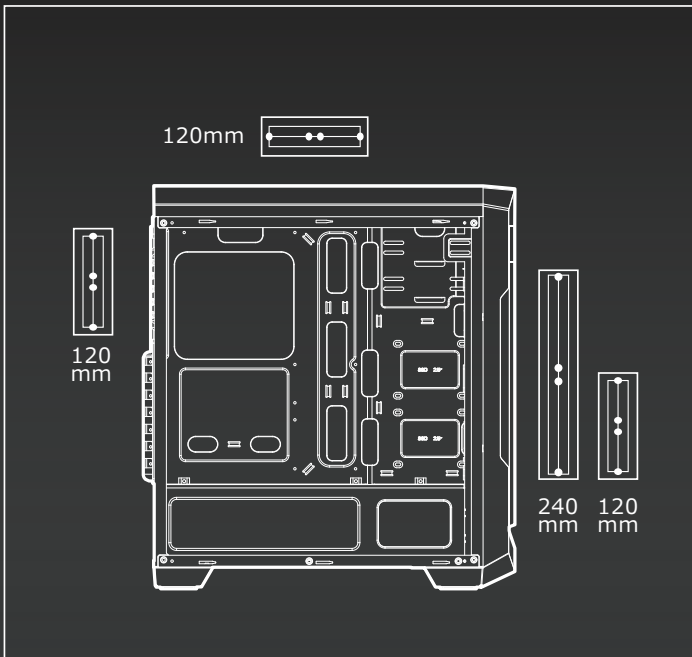
# MX331-T

Stunning RGB Mid-Tower

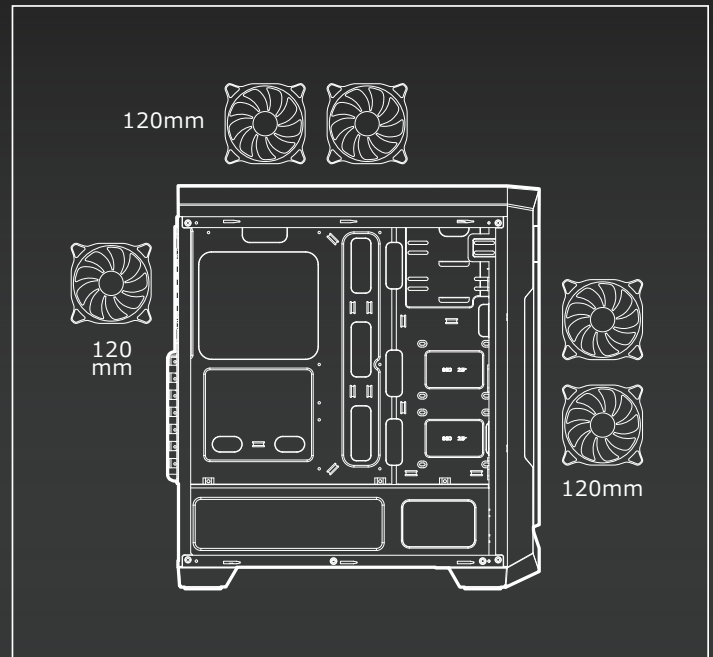
## Strong Cooling

You can install up to five fans and a 240mm water cooling radiator to protect your investment from the threat of overheating.

### Water cooling radiator support



### Air cooling support



## SPECIFICATIONS

Model No.	CGR-5NC2B-T	Water Cooling Support	Front : 240mm / 120mm Top : 120mm Rear : 120mm
Case Type	Mid Tower	Cooling Fan Support	Front : 120mm x 2 Top : 120mm x 2 Rear : 120mm ( RGB fan x 1 pre-installed )
Motherboard Type	Mini ITX / Micro ATX / ATX	Maximum Number of Fans	5 Max.
Dimension (WxHxD)	204 x 481 x 443 (mm) / 8 x 19 x 17 (in)	Transparent Left Panel	4mm Tempered Glass
Case Drive Bays	5.25":1 / 3.5" : 2 / 2.5" : 2+2 ( converted from 3.5" drive bays )	Max. CPU Cooler Height	155mm / 6.1 (in)
I/O Panel	USB 3.0 x 2, USB 2.0 x 2, Mic x 1 / Audio x 1, RGB Control Button	Max. Graphics Card Length	350mm / 13.8 (in)
Expansion Slots	7		
Max. PSU Length	200 (mm) / 7.9 (in)		

## PACKING DATA

Product Name	MX331-T	Individual Size W/O Packaging Weight (N.Weight)	5.6 (kg)
Product Number (P/N)	385NC20.0003	Individual Packaging Weight (G.Weight)	6.75 (kg)
EAN CODE	4710483770654	Individual Size W/O Packaging (WxHxD)	204 x 481 x 443 (mm) / 8 x 19 x 17 (in)
UPC CODE	192554002019	Individual Packaging Size (WxHxD)	235 x 526 x 495 (mm) / 9.3 x 20.7 x 19.5 (in)
JAN CODE	4541995034558		



# MX331

## COMPARISON



	<b>MX331 Mesh-X</b>	<b>MX331 Mesh</b>	<b>MX331 Mesh-G</b>	<b>MX331-T</b>
Model No.	CGR-5NC2B-MESH-X	CGR-5NC2B-MESH	CGR-5NC2B-MESH-G	CGR-5NC2B-T
Front Panel	Mesh	Mesh	Mesh with RGB strips	Acrylic with RGB strips
I/O Panel	USB 3.0 x 1, USB 2.0 x 1, Mic x 1, Audio x 1, Reset Button	USB 3.0 x 2, USB 2.0 x 2, Mic x 1, Audio x 1, Reset Button	USB 3.0 x 2, USB 2.0 x 2, Mic x 1, Audio x 1, RGB Control Button	USB 3.0 x 2, USB 2.0 x 2 Mic x 1, Audio x 1, RGB Control Button
Pre-installed Fans	<b>Front</b>	-	-	-
	<b>Rear</b>	120mm x 1 ( Black fan x 1 pre-installed )	120mm x 1 ( Black fan x 1 pre-installed )	120mm x 1 ( RGB fan x 1 pre-installed )
Fan Speeds Controller	-	-	Yes	Yes
Transparent Left Panel	None ( Metal )	Transparent Left Panel	4mm Tempered Glass	4mm Tempered Glass