



MX410-G RGB

Powerful Airflow and Compact Mid-Tower Case with Tempered Glass

MX410-G RGB sports an attractive and compact design with dual RGB strips at the front panel. The integrated lighting button with built-in LED controller allows it to display amazing lighting effects. With a massive tempered glass left panel, MX410-G RGB showcases a clean and tidy build. It has wider but more compact and powerful design, which allows you to have high-performance and abundant storage space.



Stylish Dual RGB Strips



MX410-G RGB integrates RGB lighting strips and air vents at the front panel. It brings you more stylish design and more RGB lighting effects.

Elegant Design with Massive Tempered Glass Left Panel

With the full-length PSU cover hides cables and a massive tempered glass left panel presents a clean and tidy build, you can easily build a pro-level system.

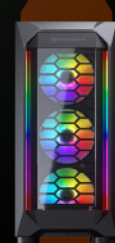


* Top fans and radiators are optional, specifications might vary depending on the country or region of sale.

Wider but More Compact and Powerful

MX410-G RGB's 210mm width allows much larger interior space with better cooling performance and cable management. However, its compact exterior dimension takes up less desktop space. MX410-G RGB can surely fit a full-sized ATX Motherboard, 300mm-length Graphic card, three 2.5" SSDs, and two 3.5" HDDs, which allow you to achieve the extreme operation and abundant storage space.

← 210 mm →



Enjoy the Dazzling RGB Show

The integrated lighting button with built-in LED controller allows MX410-G RGB to display amazing lighting effects. It can also work to a compatible motherboards' 5V connection for system-wide lighting synchronization.



* Top fans and radiators are optional, specifications might vary depending on the country or region of sale.

Abundant for Multiple USB Devices

The front panel is equipped with two USB 3.0 ports and two USB 2.0 ports, let you easily connect multiple peripheral devices and accessory charging. Not only optimize your processing experiences, but also keep all USB devices without limitations.





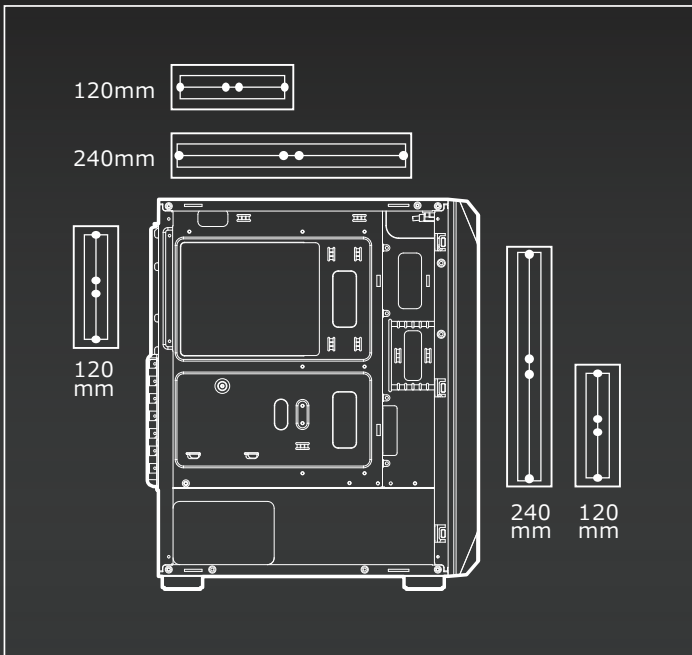
MX410-G RGB

Powerful Airflow and Compact Mid-Tower Case with Tempered Glass

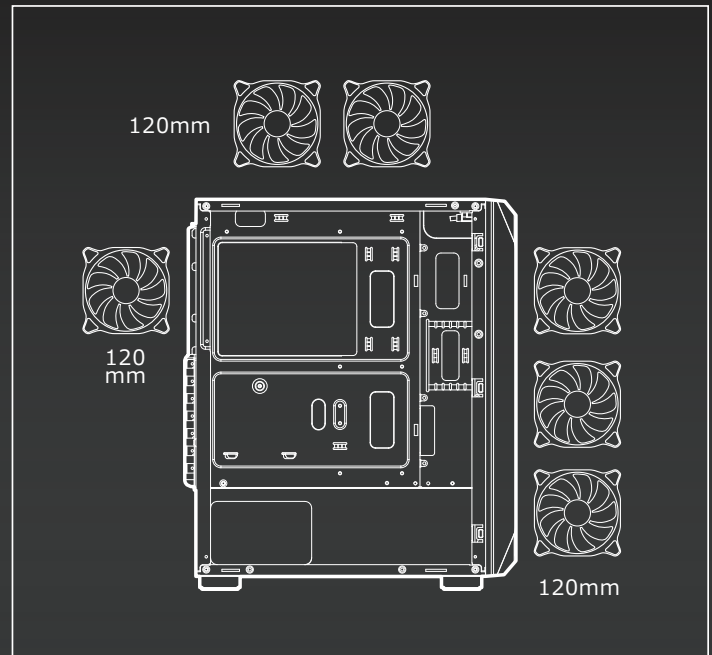
Strong Cooling Performance

MX410-G RGB's interior space supports up to 165mm height CPU air cooler, a 240mm water cooling radiator, and high-end cooling components. It helps you to protect critical components from overheating.

Water cooling radiator support



Air cooling support



* Please choose either of front or top to install a 240mm radiator.

SPECIFICATIONS

Model No.	CGR-5VM6B-G-RGB	Water Cooling Support	Front : *240mm / 120mm Top : *240mm / 120mm (Max. component height on motherboard is 40mm) Rear : 120mm
Case Type	Mid Tower	Cooling Fan Support	Front : 120mm x 3 (RGB fans x 3 pre-installed) Top : 120mm x 2 Rear : 120mm x 1 (RGB fan x 1 pre-installed)
Motherboard Type	Mini ITX / Micro ATX / ATX	Maximum Number of Fans	6 Max.
Dimension (WxHxD)	210 x 455 x 380 (mm) / 8.3 x 17.9 x 15 (in)	Transparent Left Panel	4mm Tempered Glass
Case Drive Bays	3.5" : 2 / 2.5" : 3	Max. Graphics Card Length	300 (mm) / 11.8 (in) (Only fans at the front panel) 270 (mm) / 10.6 (in) (Radiator with fans at the front panel)
I/O Panel	USB3.0 x 2, USB2.0 x 2, Mic x 1 / Audio x 1, RGB Control Button	Onboard Lighting System	Intergrated Lighting with Addressable RGB LEDs and Dynamic Lighting Effects in the Front Panel
Expansion Slots	7	RGB Sync. with M/B	Yes
Max. PSU Length	160 (mm) / 6.3 (in)		
Max. CPU Cooler Height	165 (mm) / 6.5 (in)		

* Please choose either of front or top to install a 240mm radiator.

PACKING DATA

Product Name	MX410-G RGB	Individual Size W/O Packaging Weight (N.Weight)	5.5 (kg)
Product Number (P/N)	385VM60.0001	Individual Packaging Weight (G.Weight)	6.5 (kg)
EAN CODE	4710483770395	Individual Size W/O Packaging (WxHxD)	210 x 455 x 380 (mm) / 8.3 x 17.9 x 15 (in)
UPC CODE	192554001814	Individual Packaging Size (WxHxD)	268 x 500 x 452 (mm) / 10.6 x 19.7 x 17.8 (in)
JAN CODE	4541995034596		



MX410

COMPARISON



	MX410 Mesh	MX410 Mesh-G	MX410 Mesh-G RGB	MX410	MX410-T	MX410-G RGB
Model No.	CGR-5VM6B-MESH	CGR-5VM6B-MESH-G	CGR-5VM6B-MESH-G-RGB	CGR-5VM6B	CGR-5VM6B-T	CGR-5VM6B-G-RGB
Front Panel	Mesh	Mesh	Mesh with RGB strips	Acrylic with RGB strips	Acrylic with RGB strips	Acrylic with RGB strips
I/O Panel	USB3.0 x 2, USB2.0 x 2, Mic x 1 / Audio x 1, Reset Button	USB3.0 x 2, USB2.0 x 2, Mic x 1 / Audio x 1, Reset Button	USB3.0 x 2, USB2.0 x 2, Mic x 1 / Audio x 1, RGB Control Button	USB3.0 x 2, USB2.0 x 2, Mic x 1 / Audio x 1, RGB Control Button	USB 3.0 x 2, USB 2.0 x 2, Mic x 1 / Audio x 1, RGB Control Button	USB3.0 x 2, USB2.0 x 2, Mic x 1 / Audio x 1, RGB Control Button
Pre-installed Fans Front	-	-	120mm x 3 (RGB fans x 3 pre-installed)	-	-	120mm x 3 (RGB fans x 3 pre-installed)
Pre-installed Fans Rear	120mm x 1 (Black fan x 1 pre-installed)	120mm x 1 (Black fan x 1 pre-installed)	120mm x 1 (RGB fan x 1 pre-installed)	120mm x 1 (RGB fan x 1 pre-installed)	120mm x 1 (RGB fan x 1 pre-installed)	120mm x 1 (RGB fan x 1 pre-installed)
Transparent Left Panel	None (Metal)	4mm Tempered Glass	4mm Tempered Glass	Acrylic	4mm Tempered Glass	4mm Tempered Glass
Onboard Lighting System	-	-	Yes	-	-	Yes
RGB Sync. with M/B	-	-	Yes	-	-	Yes